

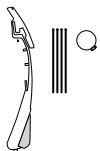
NOTICE

Do not at any time attach wear insert or remove wear insert from seed firmer while attached to planter. Remove seed firmer while doing maintenance. Beware of all pinch points. Do not backup planter while firmer is down. Always be moving forward when lowering planter.

Parts list

FR100

1. Seed firmer
2. Wear insert
3. Hardware kit



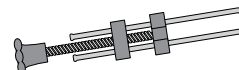
FR200

1. Seed firmer
2. Wear insert



Tool needed

Insert & removal tool (IR)



Wear Insert - Installation & Removal Instructions



Attach wear insert

Attach wear insert to seed firmer



Attach IR tool

Connect the IR tool to the seed firmer and the wear insert



Tighten fastener

Tighten until the wear insert is tightly secured.



Attach IR tool

Attach IR tool to the wear insert and UNDER the seed firmer liquid tube



Secure IR tool

The IR tool should fasten securely UNDER the liquid tube



Tighten fastener

Tighten IR Tool until wear insert becomes loose.

Wear Insert - Stopper



Drill hole

Use a 7/64" drill bit to drill in hole below wear insert on the seed firmer lip, drill no more than about 1/8" inch down, and stop drilling immediately upon sensing resistance of metal.

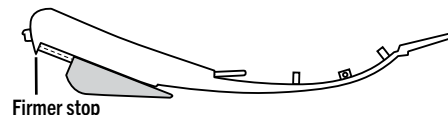


Screw

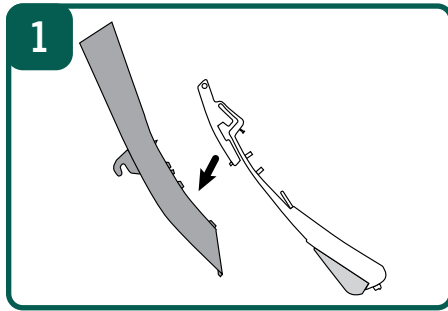
Tighten screw.

When do I need to replace the wear insert?

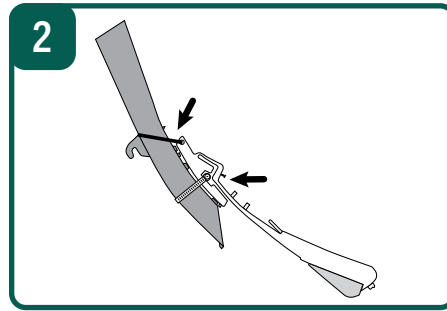
Replace the wear insert when the length of the wear insert is 1/8" of an inch away from the firmer stop.



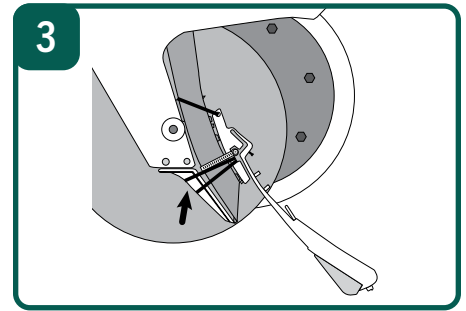
FR100 - Installation Instructions



Attached to seed tube
Attach seed firmer to seed tube.

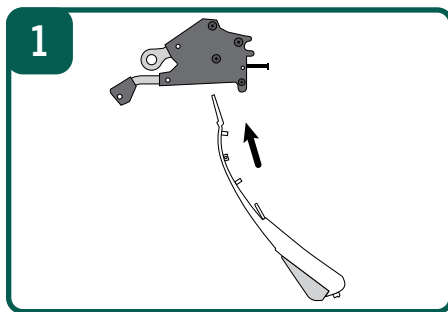


Strap to seed tube
Attach tie straps steel clamp around seed firmer and seed tube.

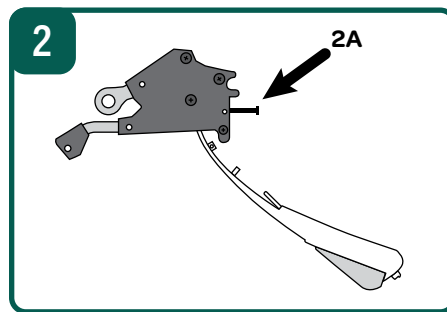


Strap to protector
Attach tie straps to seed tube protector.

FR200 - Installation Instructions

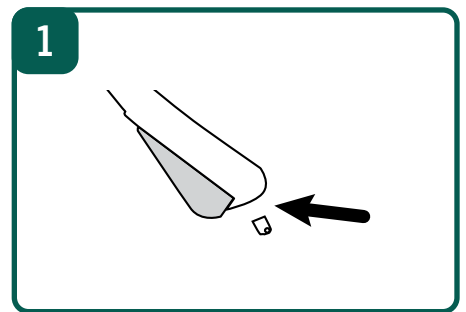


Attach firmer to bracket
Attach seed firmer to universal firmer bracket*.



Connect to firmer bracket
Secure seed firmer connection. 2A: When tightening the FR200 screw back off two turns after screw has hit firmer.

Side Shooter - Installation Instructions



Attach side shooter
Push side shooter into the seed firmer until fastened.



Thread adjustment has been preset by factory. Do not tighten, loosen, or adjust screw.

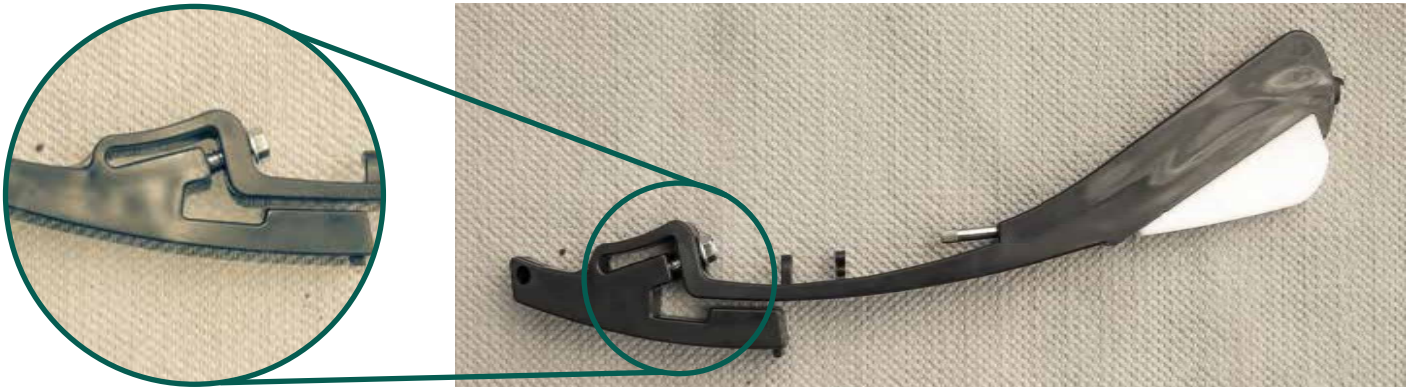
Warranty: Flo-rite™ Seed Firmers are warranted to be free of defects in material and workmanship for one year from date of installation. Our obligation under this warranty shall be limited to repairing or replacing, free of charge to the original purchaser, any part that in our judgment shall show evidence of such defect, provided further that such part shall be returned within thirty (30) days from the date of failure – routed through the dealer from whom the purchase was made. Shipping charges prepaid. Patent pending Flo-rite™ Seed Firmers shall have no liability of any kind, except for the warranty above, on account of any of its products and shall not be liable for special or consequential damages. Flo-rite™ Seed Firmers shall not be liable for indirect, incidental or consequential damages or injuries including but not limited to loss of crops, loss of profits, rental of substitute equipment, planting delays, any expense or loss incurred for labor, other commercial loss or for any other reason. Patent pending.

WARNING: Never backup planter with seed firmers down. This may break and/or damage firmer or wear inserts.

*Keeton Universal Firmer Bracket, Keeton is a registered trademark of Precision Planting, Inc.

FR100

Thread adjustment has been preset by factory. Do not tighten, loosen, or adjust screw.



FR200

Thread adjustment has been preset by factory. Do not tighten, loosen, or adjust screw.



Warranty: Flo-rite Seed Firmers are warranted to be free of defects in material and workmanship for one year from date of installation. Our obligation under this warranty shall be limited to repairing or replacing, free of charge to the original purchaser, any part that in our judgment shall show evidence of such defect, provided further that such part shall be returned within thirty (30) days from the date of failure – routed through the dealer from whom the purchase was made. Shipping charges prepaid. Patent pending Flo-rite Seed Firmers shall have no liability of any kind, except for the warranty above, on account of any of its products and shall not be liable for special or consequential damages. Flo-rite Seed Firmers shall not be liable for indirect, incidental or consequential damages or injuries including but not limited to loss of crops, loss of profits, rental of substitute equipment, planting delays, any expense or loss incurred for labor, other commercial loss or for any other reason. Patent pending.

WARNING: Never backup planter with seed firmers down. This may break and/or damage firmer or wear inserts.

*Keeton Universal Firmer Bracket, Keeton is a registered trademark of Precision Planting, Inc.